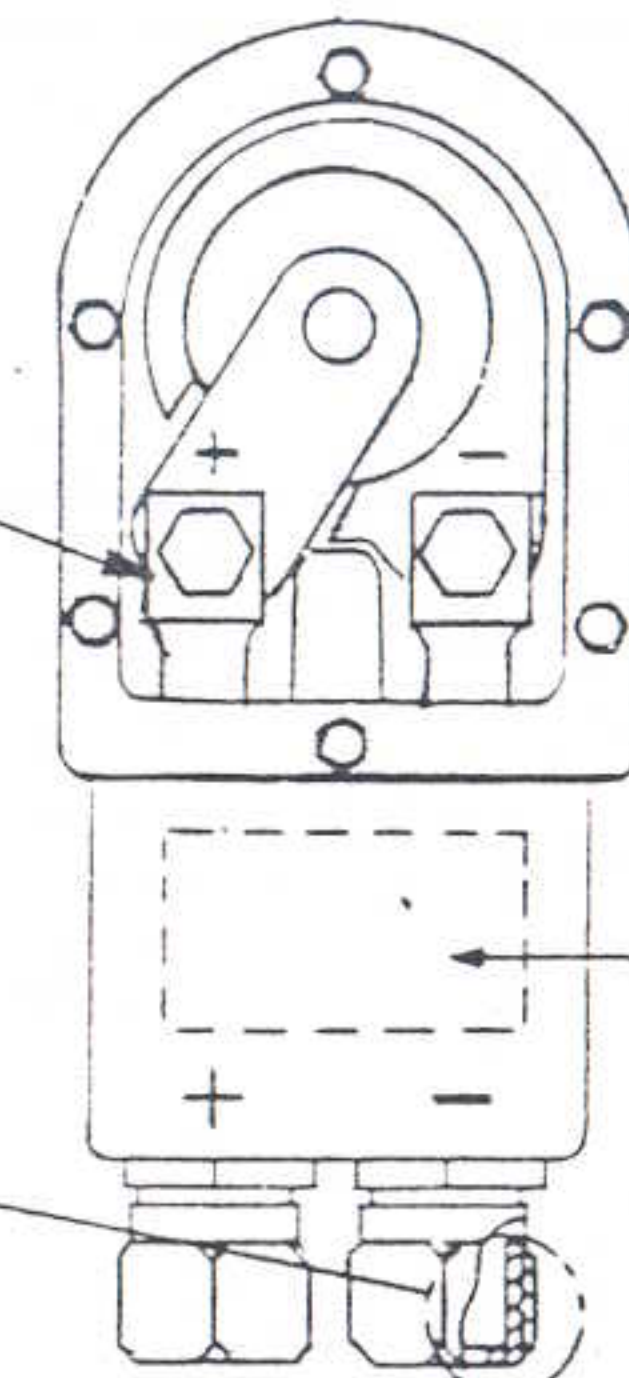


SECTION A-A  
WITH CAP REMOVED

2-TERMINAL-7056700-1

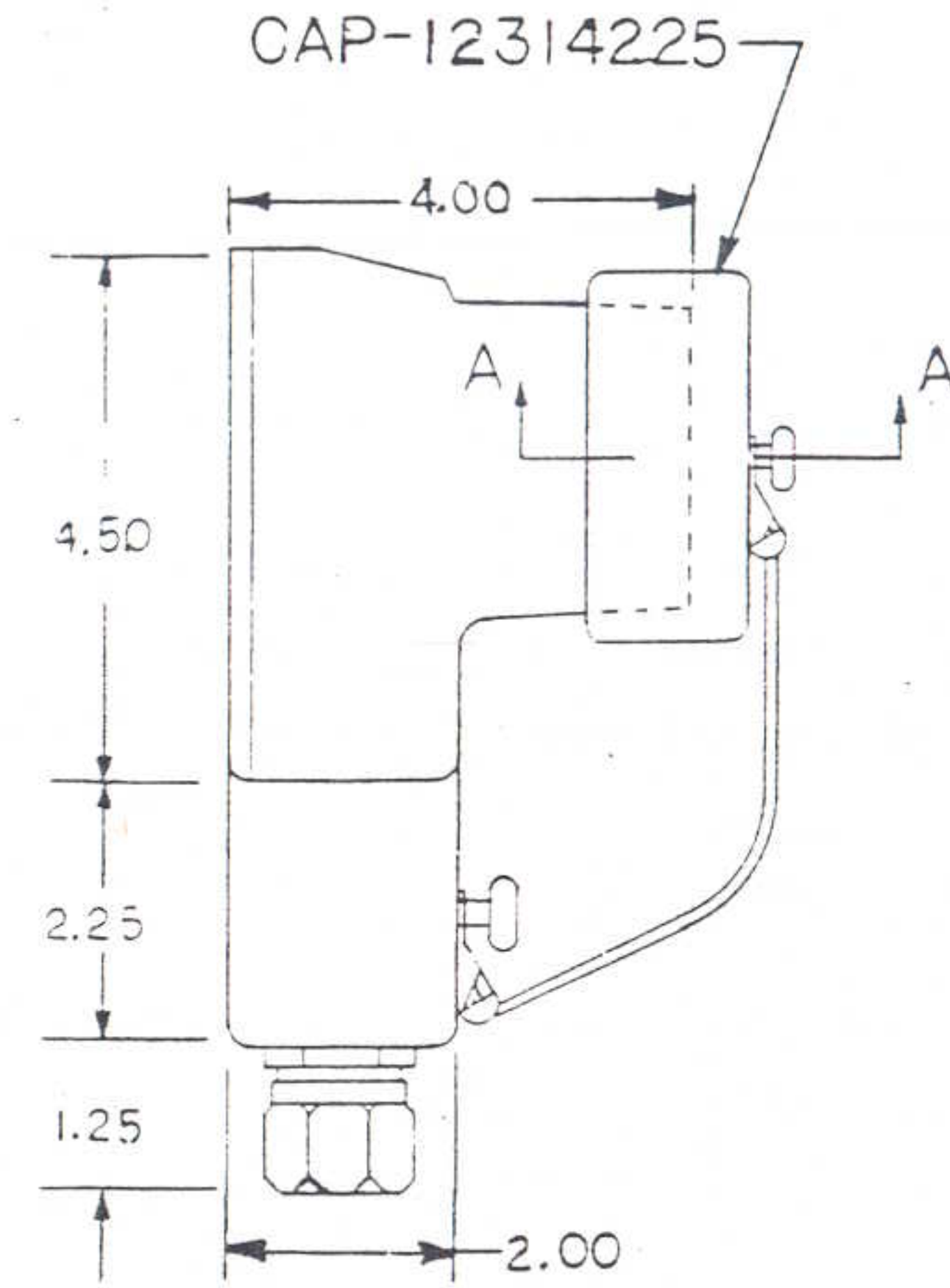
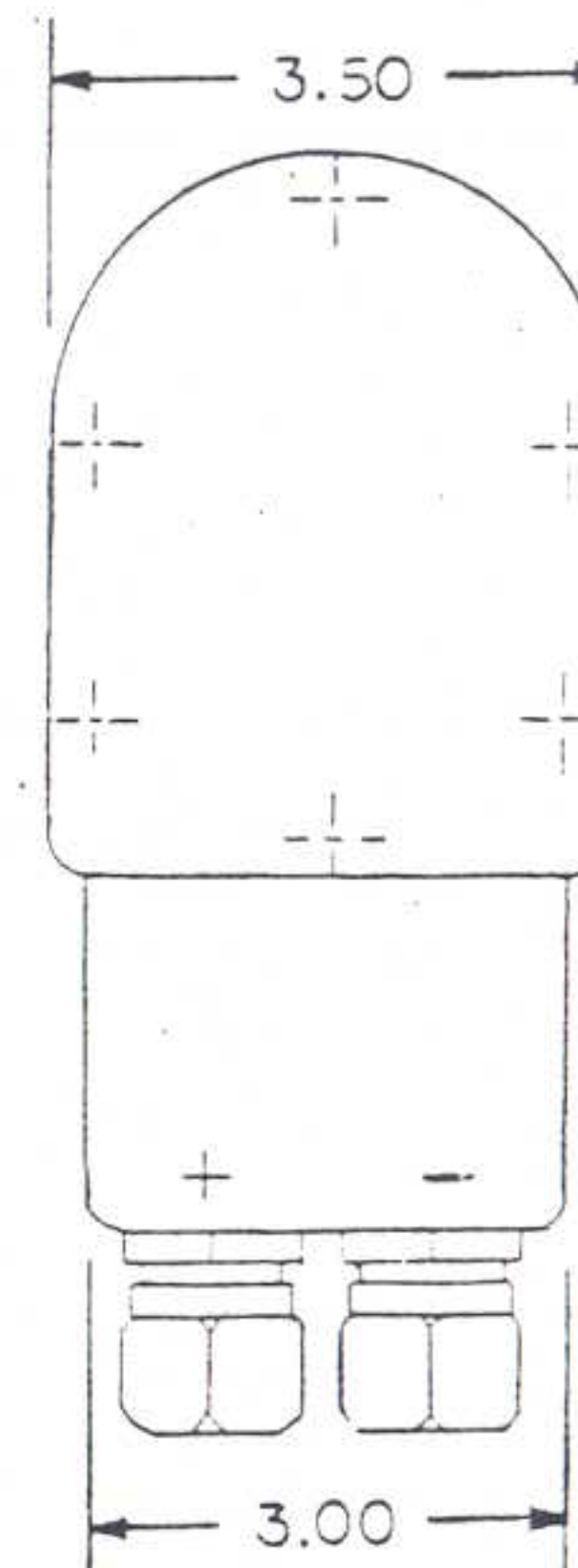
2-O-RING-MS28775-114

1.00-20 UNEF  
(TYP)



VIEW WITH COVER  
REMOVED

SEE  
NOTE 4



TOLERANCE +/- 1/8

NOTE:

1. MATING CONNECTOR (RECEPTACLE) IS ARMY DWG #11682345 OR DWG #11674728 OR DWG #11682350 (SOURCE CONTROL)
2. CONNECTOR TO BE IN ACCORDANCE WITH MIL-C-82122 (REF. NATO STANAG 4074)
3. THE CONNECTOR SHALL BE CAPABLE OF CARRYING 500 AMPERES AT 24 VDC FOR A PERIOD OF 15 MINUTES CONTINUOUS DUTY AND 1000 AMPERES AT 24 VDC FOR A PERIOD OF 360 SECONDS.
4. APPLY PART NUMBER PER MIL-STD-130

THE GATEWAY CABLE COMPANY

scale: N/A

372 N. MEYER ROAD

DRAWN BY DF

date: 08/12/94

BENSENVILLE, IL 60106

APPROVED RF

CONNECTOR (PLUG) ASSY

REF. US ARMY DWG. #11682338

drawing number:

TGC2338